

MAX HD4

Quad 4G LTE Mobile Router

PEPWAVE
Broadband Possibilities



Works With

verizon

Sprint

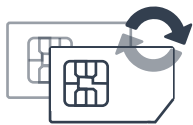
at&t

T-Mobile

And worldwide 4G LTE/3G carriers

Quad 4G LTE Mobile Router

The MAX HD4 delivers outstanding performance from all your connections with the help of SpeedFusion bandwidth bonding and intelligent load balancing.



Quad Embedded Cellular and Redundant SIM Slots

Quad Cellular Modems and Redundant SIM slots allow you to use up to four different cellular providers for bandwidth bonding, data overage protection or eliminating blind spots.



Fleet Tracking and Management

With built-in GPS fleet tracking and InControl 2 cloud-based management, you can keep tabs on location and manage your mobile network from any Internet-connected device.



Terminal Block for Secure Power Supply

The MAX HD4 is equipped with a terminal block for secure installation in vehicles and other locations.

SpeedFusion[™]
Bonding Technology



SpeedFusion Bandwidth Bonding and Seamless Failover

SpeedFusion bandwidth bonding technology bonds all connected bandwidth into a single superfast stream, using the same or different cellular providers.



Customize Captive Portal

Branding your captive portal is as easy as uploading your logo and terms & conditions. You can easily set bandwidth allowance and access duration per user or manage access using RADIUS server.

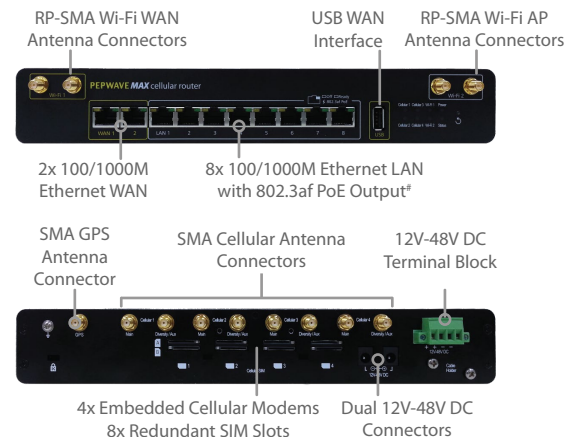


Certified Toughness

In addition to rugged metal enclosure, the MAX HD4 has certifications on: Shock and vibration resistance (EN 61373:1999, IEC 61373:1999) Railway applications (EN 50155) Electromagnetic Compatibility (EN 61000)

Specifications

MAX HD4	
WAN Interface	1x USB Interface 2x GE 4x Embedded LTE Modems with Redundant SIM Slots
LAN Interface	8x GE
Wi-Fi Interface	802.11a/b/g/n 300Mbps 2x2 MIMO Wi-Fi WAN and/or AP
Router Throughput	300Mbps
Recommended Users	50-500
Cellular and GPS Antenna Connector	8x SMA Antenna Connectors 1x SMA GPS Antenna Connector 4x RP-SMA Wi-Fi Antenna Connectors
Power Input	DC Jack/Terminal Block: 12V - 48V, 4A
Power Output	Up to Eight 802.3af PoE Outputs [#]
Power Consumption	38W (max.)
Dimensions	2.0 x 11.5 x 7.0 inches 50 x 292 x 177 mm
Weight	4.20 pounds 1.9 kg
Operating Temperature	-40° - 149°F -40° - 65°C
Humidity	15% - 95% (non-condensing)
Certifications	FCC, CE, RoHS, E-Mark Shock and Vibration Resistance: EN 61373:1999 IEC 61373:1999 Railway Applications: EN 50155 Electromagnetic Compatibility: EN 61000
Warranty	1-Year Limited Warranty



[#]PoE Activation Kit is available separately.

Ordering Information

Product Code	Carrier	Embedded Modem	4G Bands/Frequencies (MHz)	3G Bands/Frequencies (MHz)
MAX-HD4-LTE-US-T	Verizon/Sprint/AT&T/T-Mobile	4	4G LTE: B2/1900, B4/AWS (XLTE), B5/850, B13/700, B17/700, B25/1900	WCDMA/HSPA+/DC-HSPA+: B1/2100, B2/1900, B4/AWS, B5/850, B8/900 EV-DO Rev.A: BC0/800, BC1/1900, BC10/800
MAX-HD4-LTE-UE-T	Cellular 1 & 2: Europe/International Cellular 3 & 4: Verizon/Sprint/AT&T/T-Mobile	4	Cellular 1 & 2 4G LTE: B1/2100, B3/1800, B7/2600, B8/900, B20/800 Cellular 3 & 4 4G LTE: B2/1900, B4/AWS (XLTE), B5/850, B13/700, B17/700, B25/1900	Cellular 1 & 2 WCDMA/HSPA+/DC-HSPA+: B1/2100, B2/1900, B5/850, B6/800, B8/900 Cellular 3 & 4 WCDMA/HSPA+/DC-HSPA+: B1/2100, B2/1900, B4/AWS, B5/850, B8/900 EV-DO Rev.A: BC0/800, BC1/1900, BC10/800
MAX-HD4-LTE-E-T	Europe/International	4	4G LTE: B1/2100, B3/1800, B7/2600, B8/900, B20/800	WCDMA/HSPA+/DC-HSPA+: B1/2100, B2/1900, B5/850, B6/800, B8/900

MAX HD4 - PoE Activation Kit

Product Code	Description
ACW-609	Includes 1x 48V Power Supply and PoE License. Enables 4x 802.3af PoE Output Ports Requires 2x ACW-609 to enable all PoE ports

Features

WAN
Support for PPPoE, Static IP, DHCP
WAN Link Health Check
Bandwidth Allowance Monitor
USB 4G/3G Modem Support
IPv6 Support
Support for Dynamic DNS services

LAN
DHCP Server for LAN Clients
Extended DHCP Options
DHCP Reservation
DNS Proxy for LAN Clients
VLAN on LAN Support
Per-Port VLAN Support

Global Positioning System
Integrated GPS
Device Location Map
Location Tracking Data
GPS eXchange Format (GPX)
Fleet Management with InControl 2

Networking
NAT and IP Forwarding
Static Routes
Port Forwarding
Many to One, One to One NAT
NAT Pool
SIP ALG, H.323 ALG
UPnP, NAT-PMP
WINS Server
VRRP HA support

Load Balancing
Intelligent Failover
Session Persistence
Per-Service Load Distribution
Multiple Algorithms

Captive Portal Support
Wired & Wireless LAN Client Support
Support for RADIUS Authentication
Time and Usage Quotas on Open Access Mode
Built-in Customizable Splash Page

Security
Stateful Firewall
DoS Prevention
Web Blocking
Web Filtering Blacklist

Complete VPN Solution
PepVPN/SpeedFusion Hot Failover /SpeedFusion Bandwidth Bonding
Site-to-Site VPN
Bandwidth Bonding
Hot Failover
256-bit AES Encryption
Pre-shared Key Authentication
Dynamic Routing
X.509 Certificate Support
PPTP VPN Server
RADIUS, LDAP Authentication
IPsec VPN (Network-to-Network)
X.509 Certificate Support

AP Controller
AP Controller Support
Wi-Fi Usage Statistics

Device Management
Web Administrative Interface
Command Line Interface
InControl Cloud Management
Email Notification
Active Client & Session Lists
Bandwidth Usage Statistics
Syslog Service
SNMP v1, v2c and v3

Package Content
MAX HD4
12V4A Power Supply
4x Dual Band Wi-Fi Antennas
1x GPS Active Antenna
8x 2dBi 4G LTE Antennas
1 Pair of Mounting Brackets